

SERIAL ↔ GPIB
BUS CONTROLLER

DESCRIPTION

The 4895 adds a complete IEEE 488.2 Bus Controller capability to any PC or computer with a RS-232/RS-422 or RS-485 serial interface. By connecting the 4895 to your computer's serial COM port, the 4895 enables any computer to control IEEE 488/GPIB or HP-IB bus instruments at distances from a few feet up to 1,200 feet from the computer. The normal use of the 4895 is in the S-Mode where the 4895 accepts high level commands over the serial link to control and operate GPIB devices. Response data from the GPIB devices is quickly inputted into the 4895's 192 Kbyte buffer and then returned over the serial link to the host computer. Applications include controlling local or remote GPIB instruments without the need for GPIB bus extenders.

Unique Features

The 4895 includes a number of features that increase its usefulness and distinguish it from other similar units.

The 4895 saves its configuration settings in nonvolatile memory and does not have internal switches. The user does not need to open the 4895 to check or change a configuration setting. Instead, the 4895's operational modes, GPIB bus address and serial parameters can be changed by SCPI commands over the GPIB bus or by Basic like commands over the serial link.

The 4895 incorporates the IEEE 488.2 Command Protocols as part of its command library. Incorporating the 488.2 protocols such as FINDLSTN and ALLSPOLL gives the 4895 more control over the bus devices and reduces the traffic on the serial link and the user's program complexity. The user can execute these complex IEEE-488.2 protocols with a single 4895 command.

The 4895 provides the user with sixteen small buffers for program storage. The user can download GPIB command programs to the 4895 for later execution much like subroutines. The stored programs can be used for any repeated task - from device initialization to test setup or a test function. Three of the buffers can be saved in Flash memory.



4895 Serial to GPIB Controller

GPIB to Serial Interface Mode

While the 4895 is primarily a Serial to GPIB Controller, it does have a reverse G-Mode. When used as a GPIB to Serial Interface (G-Mode), the 4895 becomes a 488.2 compatible GPIB interface for adapting devices with a serial interface to the GPIB bus. This function can be used to connect devices with RS-232 or RS-485 interfaces to the GPIB bus and at the same time provide them with a full IEEE 488.2 compliant interface.

The 4895 uses automatic DMA GPIB transfers to achieve GPIB handshake rates >600,000 bytes/second. This transfer rate and the 4895's large data buffer minimizes bus transfer time and off loads the host computer when outputting data to serial devices.

4895 Command Sets

The 4895 has two command sets. The 4895's main command set is ICS's Basic like commands for controlling GPIB instruments. The Basic like commands were derived from HP's Rocky Mountain Basic and follow the Rocky Mountain Basic syntax. ICS's Basic like commands also include the 488.2 Command Protocols (FINDLSTN, ALLSPOLL and RESET) found in newer 488.2 GPIB Controllers. Short form commands are available for the five most frequently used GPIB commands to speed up command execution and to minimize the serial communication time.

The 4895 also includes the National Instruments CT command set. Both command sets can be used interchangeably or the 4895 can be used in place of a CT controller.

- Adds full GPIB Bus controller capability to any computer with a serial port. *Easiest way to add GPIB bus control capability to a serial port.*
- Automatic DMA provides high speed GPIB data transfer >600 K bytes/sec. *Fast GPIB-to-Serial buffer.*
- Uses HP BASIC style commands to control instruments. *The worlds most familiar GPIB/HP-IB control language.*
- Includes IEEE 488.2 Command Protocols. *Simplifies GPIB programs.*
- Includes National Instruments CT command set. *Can be used to replace or upgrade CT controllers.*
- Reverse G mode converts the 4895 into a GPIB-to-Serial interface. *Two functions in one unit.*
- Includes ICS's interactive M95_kybd Control Program. *Control instruments without having to write a program.*

CE Approved

RoHS Compliant

ICS ELECTRONICS
division of Systems West Inc.

7034 Commerce Circle
Pleasanton, CA 94588
Phone: 925.416.1000
Fax: 925.416.0105
Web: www.icselect.com

4895 APPLICATIONS

The primary use of the 4895 is to add a GPIB Bus Controller capability to any computer that has a serial interface as shown in Figure 1. Because the connection to the computer is done with a serial link, the 4895 can be located next to the computer or up to hundreds of feet away from the computer. RS-232 is specified for distances of 50 feet but can successfully operate over longer distances of 100-200 feet with reduced baud rates. Adding an RS-232 to RS-485 converter to the computer creates RS-485 differential signals which can extend the data transmission distances up to 10,000 feet with greatly improved noise immunity. The 4895 can be set for operation with either RS-232 or RS-422/RS-485 signals.

Figure 2 shows that by adding modems between the 4895 and the computer, the 4895 can be used to control instruments at a remote

site over the dial-up phone system. Current modems now provide inexpensive 9600, 19,200 and 38,400 baud links over dial up phone lines. Many of these newer modems include internal error correction which guarantees error free data.

Figure 3 shows the 4895's operation in the G Mode where it becomes an IEEE 488.2 interface for a serial device. In the G Mode, the 4895's configuration (baud rate, data bits etc.) is controlled by commands received on its GPIB interface. Data is transferred transparently from the GPIB bus to the serial port when the 4895 is addressed as a listener and from the serial port to the GPIB bus when the 4895 is addressed as a talker. The 4895's IEEE-488.2 Status Reporting Structure can be used to notify the user when the 4895 has data in its serial receive buffer.

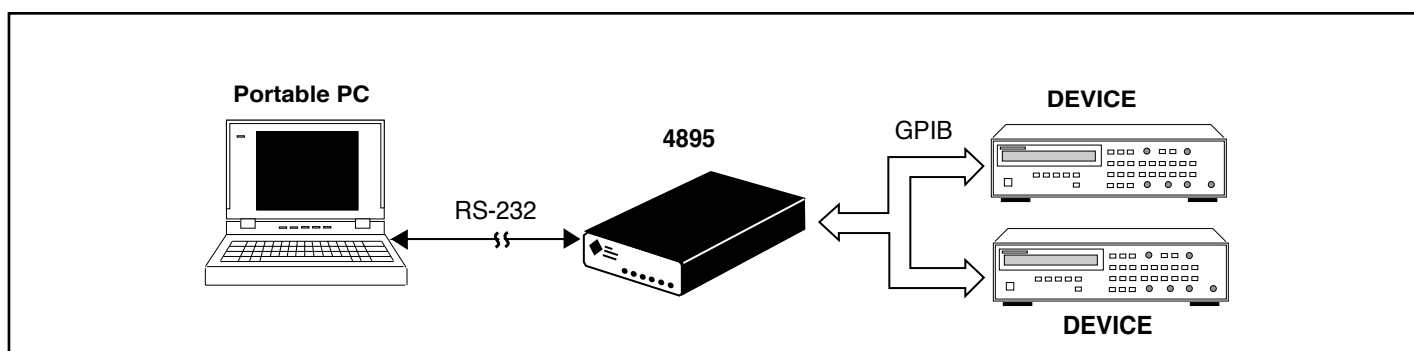


Figure 1 Connecting the 4895 to any computer's com port adds full GPIB capability to the computer. The 4895 is an easy way to interface a notebook computer with the GPIB bus.

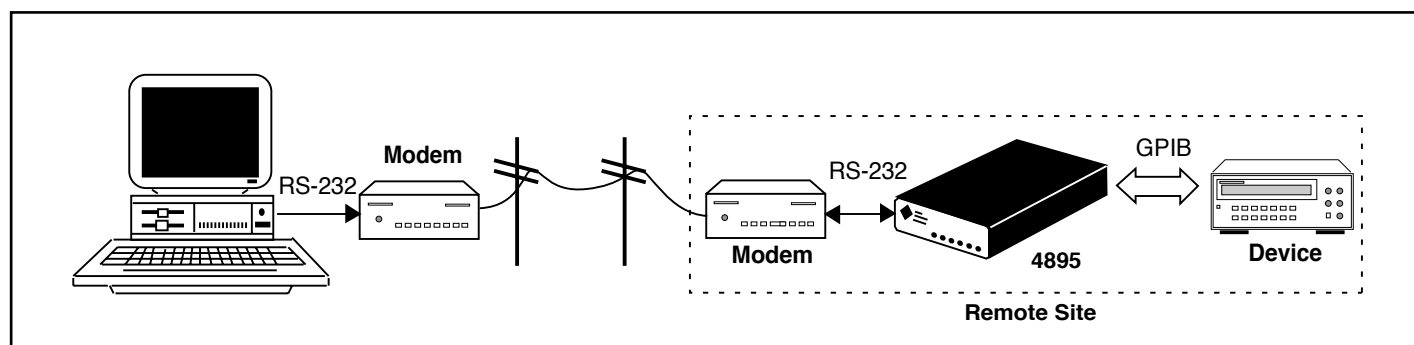


Figure 2 By adding modems, the computer can use the phone line to communicate with the 4895 and control devices at the remote site.

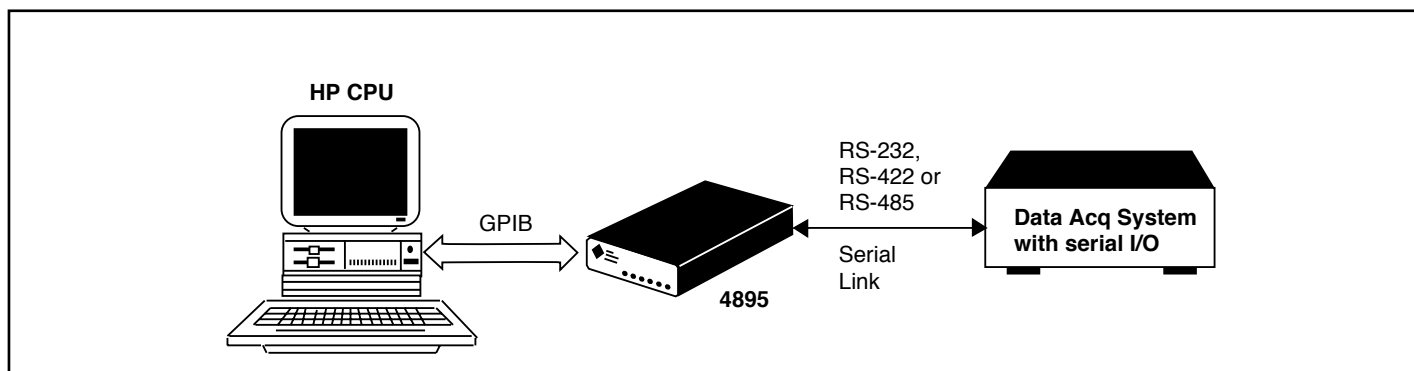


Figure 3 By controlling the 4895 from the GPIB/HP-IB bus, the 4895 becomes a IEEE 488.2 interface for a Serial Device.

4895 Basic Command Set

4895 Basic Commands are ASCII strings that the user outputs from his program using any program language or operating system. A 4895 command string has two parts: the first is the 4895's own command and the second is any data that the 4895 is to pass onto the GPIB device. The 4895's commands are similar to Hewlett-Packard's Rocky Mountain Basic HP-IB commands. This command set is very familiar to a majority of older GPIB/HP-IB programmers and its simplicity minimizes learning time for new users. The following is a typical 4895 command sequence for querying a device:

```
Output 04; *IDN?      'sends *IDN? query to device 4
Enter 04              'reads device response
```

The Table on the right lists the full 4895 Basic Command Set.

System Response Times

Command response time is a function of the serial baud rate, length of the command string and the GPIB device's handshake timing. The 4895's firmware has been enhanced to reduce command parsing delays and to minimize command execution times. Typical command execution time is 2 to 5 milliseconds. Short form commands are available for the more frequently used 4895 commands to reduce the serial transmission time. Refer to Application Note AB48-17 for more information about calculation and reducing system response times.

488.2 Controller Commands

The 4895 includes the new IEEE 488.2 Controller commands such as FINDLSTN, ALLSPOLL and RESET. FINDLSTN generates a list of all devices on the bus with listener capability. The 4895 reports and saves the list for use when executing the ALLSPOLL and RESET commands.

Serial Interface

The 4895's serial interface provides the user with a choice of RS-232 or RS-422/RS-485 signals in the same unit. Hardware handshaking and X-on/X-off protocol may be used to control the serial data flow. Baud rate is adjustable from 300 to 38.4 Kbaud. The RS-485 selection provides automatic half-duplex operation. Signal selection is made by setting three jumpers inside the 4895.

Program Examples

Three different programming examples are included in the Support CD ROM for the 4895. The first example is ICS's M95_kybd Control Program. M95_kybd is a Visual Basic 6 program that allows the user to interactively control GPIB instruments using the 4895. The M95_kybd shows how to select and setup a COM port on a PC, how to initialize the 4895 and then how to use the 4895 to send commands to and read responses from GPIB instruments. Instrument programming is very simple since the M95_kybd program automatically encapsulates the instrument command inside the 4895 command. All of the M95_kybd program source files are included on the Support CD.

The second example is a Visual Basic.NET version of the M95_kybd program. The .NET version was developed by converting the

existing VB6 program to a VB.NET program using Microsoft's Visual Studio 2005. All of the project files are included on the CD.

The third example is a set of Quick Basic 4.5 programs that show how to use the 4895 to control a DVM, an ICS 4896 and a generic command line keyboard program.

TABLE 1 4895 BASIC COMMANDS

Command	Function
ABORT <nl>	Assert IFC then take control
BUSTAT [s] <nl>	Query bus control signal status
CADDR <dev> <nl>	Changes 4895's GPIB address
CLEAR <nl>	Send DC
CLEAR [A-list] <nl>	Send SDC to listed devices
CONFIG [parm-list] <nl>	Sets/queries 4895's settings
ENTER <dev> <nl>	Read data from device
ENTERB <dev> <nl>	Read binary data from device
EOI [0:1] <nl>	Enable/Disable EOI on last byte
EOL [[R] [x] [B] eoschar]	Set/query end-of-msg character
EOL D <nl>	Disable EOS mode
GTS <nl>	Puts 4895 in standby mode
LLOCKOUT <nl>	Sends LLO to bus
LOCAL <nl>	Remove REN
LOCAL [A-list] <nl>	Send GTL to listed devices
MSG <string> <nl>	Sends string to serial host
ONSQR [n] <nl>	Execute commands in buffer n as a SRQ service routine
OUTPUT [count] [A-list] <CR>	Outputs ASCII or binary data to [data] listed devices. <CR> can be a semicolon.
OUTPUT [A-list] <CR> [data]	
OUTPUT <CR> [data] <nl>	
PASSCONTROL <addr> <nl>	Pass control to device
PPOLL <nl>	Conducts a parallel poll
PPOLLC <list [addr, bit, pol]	Configure listed devices for parallel poll
PPOLLU <nl>	Unconfigure parallel poll all devices
PPOLLU [A-list] <nl>	Unconfigure parallel poll listed devices
REMOTE <nl>	Set REN
REMOTE [A-list] <nl>	Set REN and address listed devices
SEND <string> <nl>	Outputs userspecified commands
SPOLL [A-list] <nl>	Serial poll listed devices
STATUS [c] [n] [s] <nl>	Sets/queries 4895 status
TIMEOUT <nl>	Query current timeout values
TIMEOUT [IO time, SP time]	Set data transfer and serial poll timeouts
TRIGGER <nl>	Send GET
TRIGGER [A-list] <nl>	Send GET msg to listed devices
@@@	Resets 4895
<u>BUFFER COMMANDS</u>	
END <nl>	Stops storing function
LIST n <nl>	Lists program sequence in buffer n
RUN n <nl>	Executes command sequence in buffer n
STORE n <nl>	Starts storing commands into buffer n
<u>488.2 PROTOCOLS</u>	
ALLSPOLL <nl>	Serial polls all devices in FINDLSTN list.
FINDLSTN <nl>	Executes find listener routine
LSTNLIST <nl>	Queries list of listeners found by FINDLSTN command
RESET	Resets system and all devices in FINDLSTN list

4895 SPECIFICATIONS

IEEE 488 Bus Interface

The 4895's 488 Bus interface meets IEEE STD 488.1-1987 and has the following capabilities:

S Mode (Serial Link Controlling): S H 1 , AH1, T6, L4, SR1, DT0, PP1, DC0, RL0, C1-C4 and C9

G Mode (GPIB Bus Port Controlling): SH1, AH1, T6, L3, SR1, PP0, DC1, RL0, DT0, C0 and E1/E2 drivers.
Bus drivers incorporate powerup/down protection to prevent sending invalid data to the bus.

Address Capability

Addresses all 31 primary and 961 secondary addresses (S mode)
Uses Primary addresses 0-30 for self

488.2 Compliance

G Mode: Responds to common commands: *CLS, *ESE, *ESE?, *ESR?, *IDN?, *OPC, *OPC?, *RCL, *RST, *SAV, *SRE, *SRE?, *STB, *TST?, and *WAI

S Mode: Executes RESET, ALLSPOLL, and FINDLSTN

Buffers

G Mode	GPIB input	220,000 bytes
	Serial input	32,000 bytes
S Mode	Serial input	4,000 bytes
	GPIB input	192,000 bytes
	Program	19 @ 512 bytes each

NI Emulation

Emulates all serial commands used in NI-CT S mode except for IBCL function. Emulates NI-CV G mode.

SCPI Compliance

Meets SCPI 1994.0

Serial Interface

Provides RS-232C single ended or RS-485 (RS-422) differential signals on a DB-25S connector, see Tables 2 and 3. Pin assignments conform to EIA RS-530 specification and are pin compatible with most RS-232 devices. The 4895 is a DTE serial device.

Baud Rates
300, 600, 1.2K, 2.4K, 4.8K, 9.6K, 19.2K and 38.4K baud

Data Character Formats

Data bits	7 or 8 bits
Parity	odd, even or none
Stop bits	1 or 2

Data Transfer Protocols

Hardware handshake always enabled X-on /X-off handshake enabled or disabled by a separate command

TABLE 2 RS-232C SIGNALS

Pin #	Signal
1	Shield
2	Transmit Data
3	Received Data
4	Request-to-Send
5	Clear-to-Send
7	Ground
8	Signal Detected
20	Data Terminal Rdy

TABLE 3 RS-424/485 SIGNALS

Pin #	Signal
1	Shield
2/14	Send Data
3/16	Received Data
4/19	Request-to-Send
5/13	Clear-to-Send
8/10	Signal Detected
20/23	Data Terminal Rdy

Front Panel Indicators

PWR	Indicates power on
RDY	Unit has passed self test
TALK	Unit has recognized its Talk Address
LSTN	Unit has recognized its Listen address
SRQ	Unit sensed SRQ active
ATN	Unit sensed ATN asserted

Physical

Size
7.45" L x 5.57" W x 1.52" H
(18.92 cm L x 14.15 cm W x 3.86 cm H)

Weight 1.6 lbs. (0.73 kg.) plus adapter
Temperature
Operating -10° C to +55° C
Storage -20° C to + 70° C

Humidity 0-90% RH non- condensing

Shock/Vibration Normal handling

Construction All metal case

Power 9 to 32 Vdc @ 3.5 VA

Included Accessories

Instruction Manual
Support CD ROM
PC serial cable, 25-pin Connector
UL/CSA/VDE approved AC power
Adapters provided for:
US - 115±10% Vac, 60 Hz (std)
-E Europe - 230±10% Vac, 50/60 Hz
-B UK - 230±10% Vac, 60 Hz
-U Japan - 100±10% Vac, 50/60 Hz

ORDERING INFORMATION

	Part Number
Serial - GPIB Controller with 115 VAC adapter and serial PC cable	4895
Serial - GPIB Controller with 230 VAC adapter and serial cable	(Specify plug style) -E (Europe), -B (UK), -A (Australia)
GPIB Accessory Cables	See separate data sheet
Rack Mounting Kits (holds one or two units)	Single - 114210, Dual - 114211