

GPIB BOARD ACCESSORIES

GPIB FLAT RIBBON CABLE ASSEMBLY

DESCRIPTION

ICS's GPIB Flat Ribbon Cable Assembly is a convenient way to connect GPIB Bus signals to ICS's 4803 or 4804 GPIB Interface Cards. The GPIB Flat Ribbon Cable Assembly is a flat ribbon cable with a GPIB connector at one end and a 24-pin header connector at the other end. The GPIB connector mounts on the rear panel of the host chassis and connects to standard GPIB bus cables. The other end of the cable is a 24-pin connector that plugs into the GPIB header on the 4803 and 4804 Interface Cards. Cable length may be specified by the user to fit the chassis.

The GPIB connector has a metal shell which connects the cable shield to the host chassis to provide a RFI/EMI proof connection.

Easy Panel Machining

The GPIB Flat Ribbon Cable Assembly only requires a single rectangular cutout and two holes on the rear panel. The GPIB connector can be mounted on either side of the rear panel and is held in place with the supplied metric lock studs. Behind the panel mounting is recommended for RFI sensitive applications. Figures 2 and 3 show how to mount the connector on both sides of the rear panel and the machining dimensions.

Variable Cable Length

The GPIB Flat Ribbon Cable Assembly can be ordered with up to 90 cm (36 inches) of flat ribbon cable. The cable length is specified in cm as the part dash number. The standard length is 90 cm unless specified otherwise.

- GPIB Flat Ribbon Cable Assembly mounts on rear panel and plugs into 4803 and 4804 Interface Cards. *Saves cost of building your own cable.*
- Flat ribbon cable comes in user specified lengths up to 90 cm long. *Get the length you need*
- Only requires a single cutout and two holes on the rear panel. *Easy machining and assembly.*
- Includes metric studs for the IEEE 488 connector. *Nothing else to buy.*

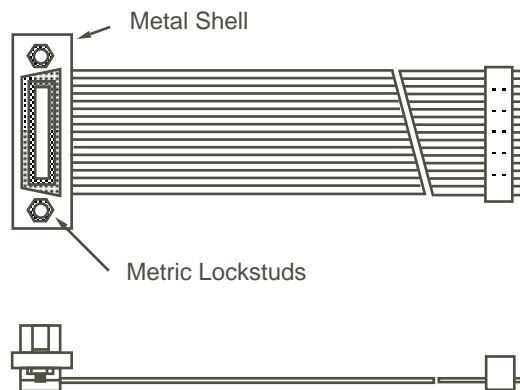


Figure 1 GPIB Flat Ribbon Cable Assembly



7034 Commerce Circle
Pleasanton, CA 94588

► Phone: 925-416-1000
Fax: 925-416-0105
Web: www.icselect.com

SPECIFICATIONS

Mounting Drawings

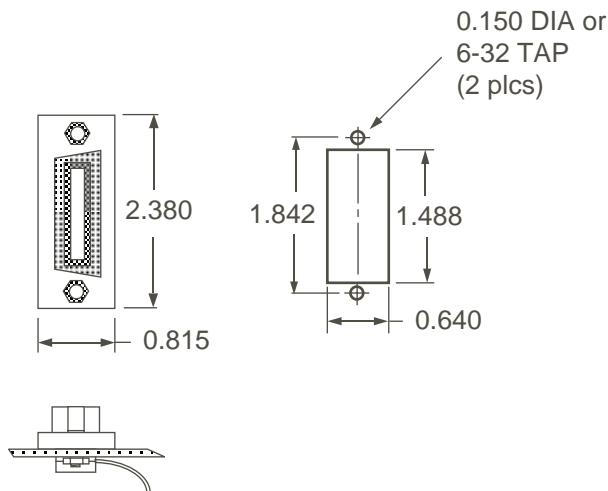


Figure 2 Front Mounting and Cutout Dimensions

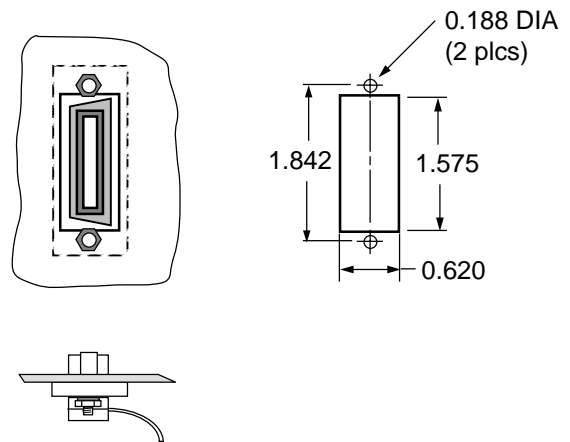


Figure 3 Rear Mounting and Cutout Dimensions

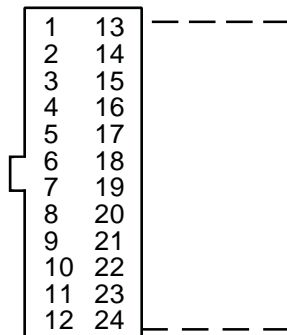


Figure 4 PCB Mating Header Layout

Recommended parts are:
 3M 2524-6002
 TBA 609-2427

Note the Flat Ribbon Cable entry is on the opposite side of the polarity opening.

Cable Component Flammability Ratings are:

Flat Ribbon Header Plug	UL94V-0
Flat Ribbon Cable	UL WV-1
GPIB Connector	between UL94V-0 and -1

Cable Length

Dash number specifies cable length in cm from 10 cm minimum to 90 cm maximum. The Ordering Guide shows the more popular lengths

ORDERING INFORMATION

	Part Number
GPIB Flat Ribbon Cable Assembly, 30 CM long.	114439-30
GPIB Flat Ribbon Cable Assembly, 40 CM long.	114439-40
GPIB Flat Ribbon Cable Assembly, 45 CM long.	114439-45
GPIB Flat Ribbon Cable Assembly, 50 CM long.	114439-50
GPIB Flat Ribbon Cable Assembly, 60 CM long.	114439-60
GPIB Flat Ribbon Cable Assembly, 90 CM long. (default length)	114439-90